

**R13**

Code No: 114DA

**JAWAHARLAL NEHRU TECHNOLOGICAL UNIVERSITY HYDERABAD**

**B.Tech II Year II Semester Examinations, October/November - 2016**

**MACHINE DRAWING**

**(Common to ME, MCT, AME, MSNT)**

**Time: 3 Hours**

**Max. Marks: 75**

**Answer any THREE questions from Part - A**

**Part - B is Compulsory**

---

**PART - A**

**(3 × 10 = 30)**

1. Sketch the conventional representation of the following materials:
  - a) Steel
  - b) lead
  - c) glass
  - d) Asbestos.[10]
2. Sketch the conventional representation of the following
  - a) Semi elliptic leaf spring
  - b) Cylindrical tension spring
  - c) Square on shaft
  - d) Bearings.[10]
3. Sketch the required views indicating the proportions of compression muff coupling to connect two shafts, each of diameter 30 mm. [10]
4. Draw
  - a) Sectional view from the front and
  - b) View from above, of the following riveted joints, to join plates of thickness 10mm: i) Double riveted chain lap joint    ii) double riveted Zig-Zag lap joint.[5+5]

**PART - B**

**(1 × 45 = 45)**

5. The details of eccentric given in the following. Draw the following assembled views?
  - a) half sectional front view
  - b) Top view
  - c) Side view.[45]

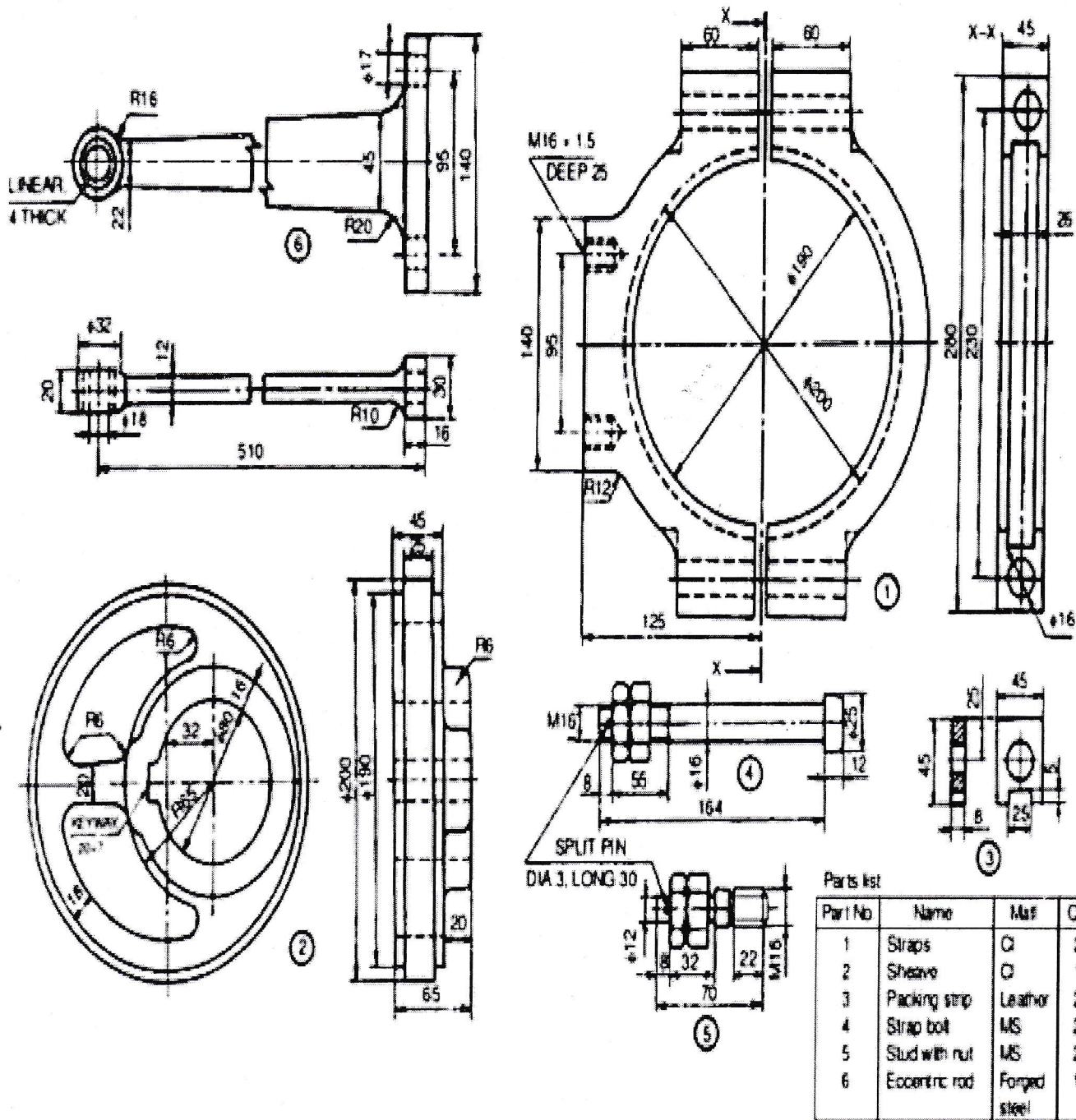


Fig. 18.55 Details of an eccentric