

**R13**

Code No: 114DA

JAWAHARLAL NEHRU TECHNOLOGICAL UNIVERSITY HYDERABAD

B.Tech II Year II Semester Examinations, July/August - 2021

MACHINE DRAWING

(Mechanical Engineering)

Time: 3 hours

Max. Marks: 75

Answer any Two questions from Part-A

Part-B is Compulsory

**PART - A****(30 Marks)**

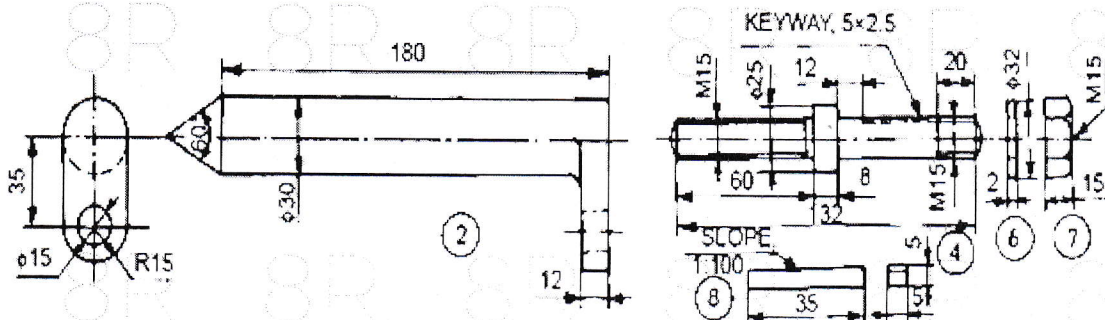
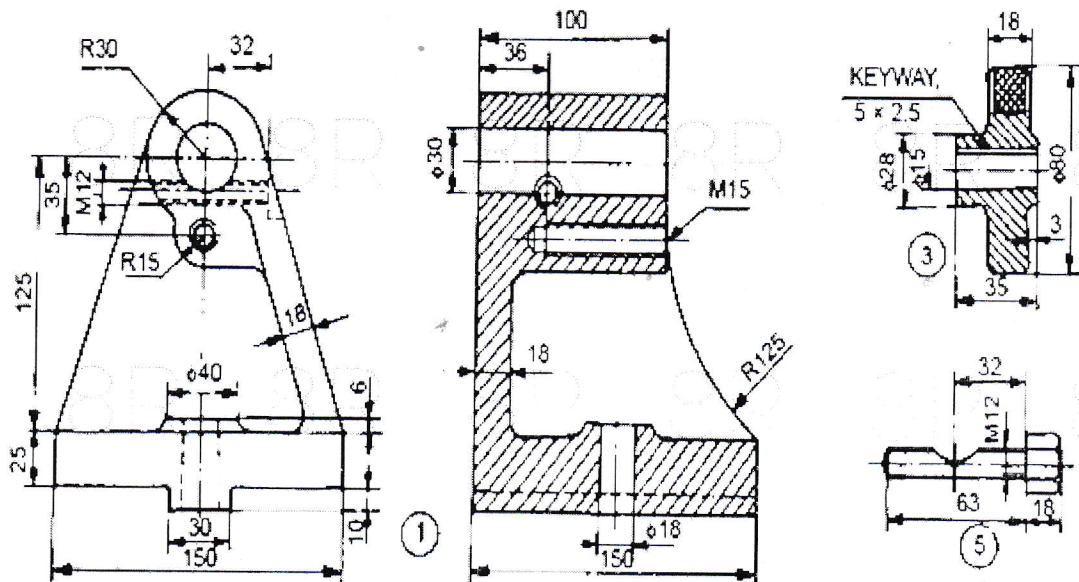
1. Draw sectional front view and top view for a double riveted lap joint with zigzag riveting. Take plate thickness as 16 mm. [15]
2. Sketch the conventional representation of the following:  
(a) External threads (b) Internal threads,  
(c) Thread in section (d) Assembled threads in section. [15]
3. Draw the sectional front view and top view of a knuckle joint to join shafts of each 25 mm diameter. [15]
4. Draw two views of a Foot step bearing for a shaft 100 mm diameter. [15]

**PART - B****(45 Marks)**

5. Assemble the parts of the milling machine tail-stock, shown in figure and draw:  
a) sectional view from the front and  
b) view from the right. All the dimensions are in mm. [25+20]

Parts list:

Sl. No.	Name	Matl.	Qty.
1	Body	CI	1
2	Centre	Case hardened alloy steel	1
3	Hand wheel	Cast steel	1
4	Screw	MS	1
5	Screw	MS	1
6	Washer	MS	1
7	Nut	MS	1
8	Key	MS	1



---ooOoo---