

Code No: 114DA

JAWAHARLAL NEHRU TECHNOLOGICAL UNIVERSITY HYDERABAD

B.Tech II Year II Semester Examinations, May - 2015

MACHINE DRAWING

(Common to ME, MCT, AME, MSNT)

Time: 3 Hours

Max. Marks: 75

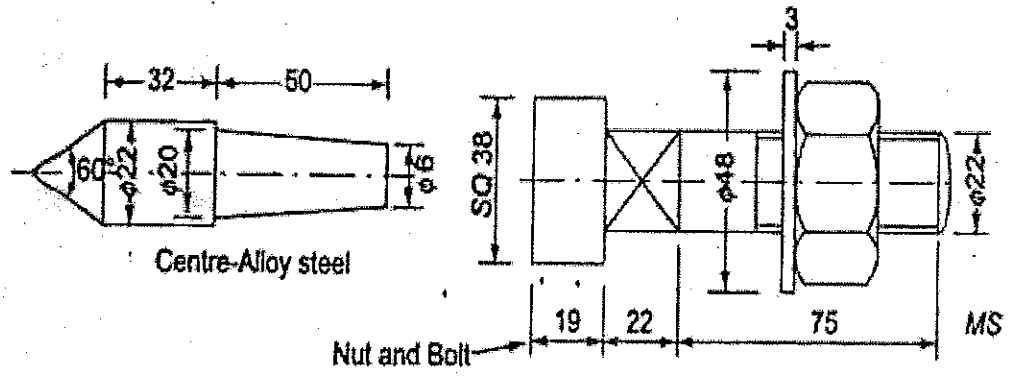
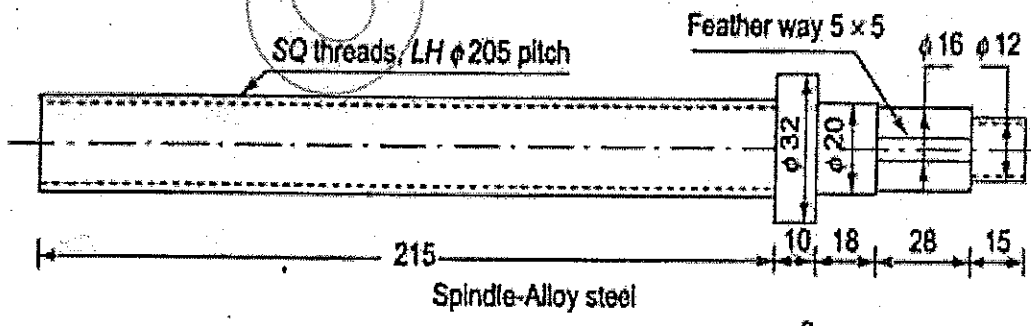
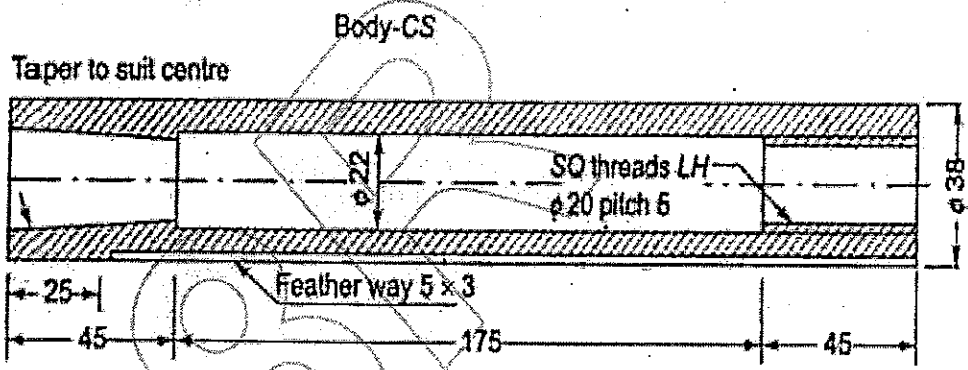
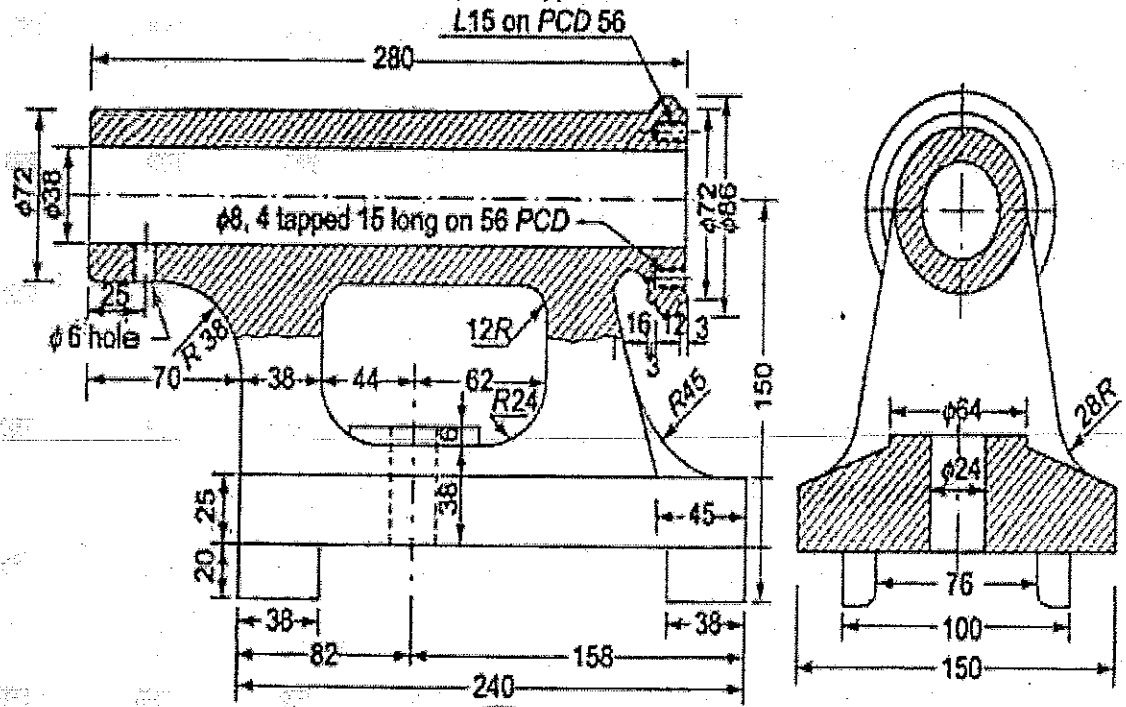
Answer any THREE questions from Part-A
Part-B is Compulsory

PART- A**3 × 10 = 30 Marks**

1. Give diagrammatic representation of important ISI conventions.
2. Draw the front, top, side views of a hexagonal bolt of diameter 35mm.
3. Draw the sectional front and top views of a double strap double riveted butt joint to join plates of 25mm thickness.
4. Draw the sectional front, top and side view of a knuckle joint to join two rods of diameter 30mm each.

PART-B**1 × 45 = 45 Marks**

5. Draw the following assembled views of the tail stock.
 - a) Half sectional Front view
 - b) Side view



---ooOoo---