

Lecture 3 - Simple Heterostructures - Outline

- **Energy band review**

Energy levels in semiconductors:

Zero reference, χ , E_g , E_c , E_v

Homojunctions using bands - a review

- **Heterojunction band profiles**

(the Depletion Approximation extended)

Abrupt junctions:

1. Issues new to heterojunctions: $\Delta\chi$, ΔE_g , ΔE_c , ΔE_v
2. Alignment options/types
3. Type I heterojunctions:
 - a. N-p: i. In equilibrium; ii. With applied bias
 - b. P-n
 - c. Iso-type: P-p, N-n

Modulation doping:

1. Motivation, concept
2. Carrier concentrations

Graded compositions:

1. In bulk regions
2. At heterojunctions (impact on spikes)

Energy band edge picture - review

- **Band edge energies**

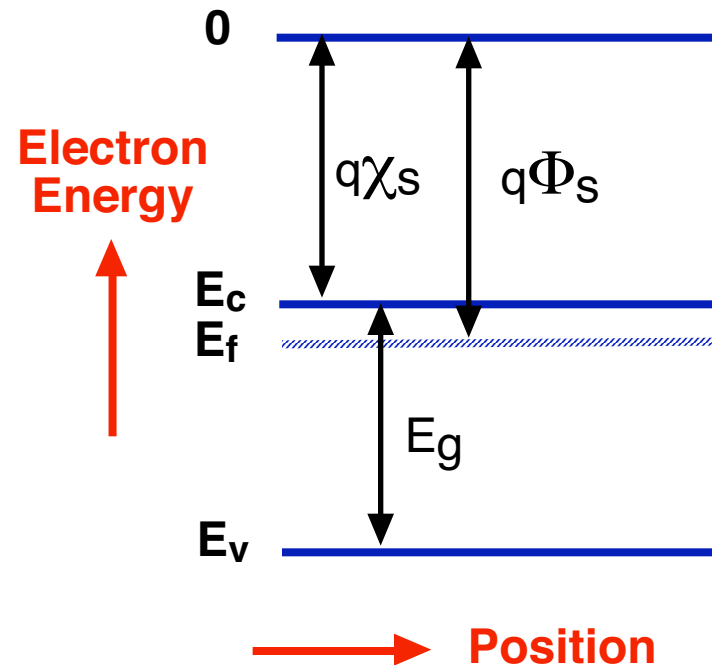
The band edge energies relative to the vacuum reference level and to each other are a property of the semiconductor

Electron affinity, χ :

Conduction band edge to vacuum ref.

Energy gap, E_g :

Valence band edge to conduction band edge



- **Fermi level**

Depends additionally on the doping level

$n_o = N_c \exp[-q(E_c - E_f)/kT]$ and thus $E_c - E_f = (kT/q) \ln (N_c/n_o)$
and/or

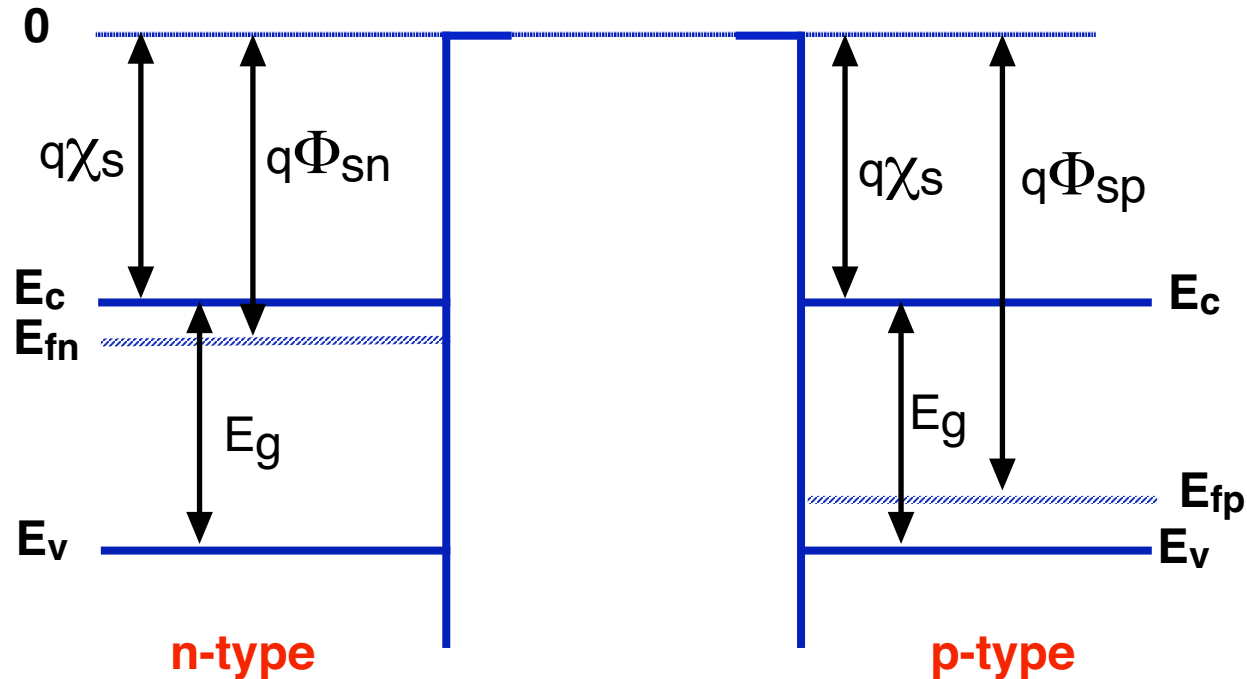
$p_o = N_v \exp[-q(E_f - E_v)/kT]$ and thus $E_f - E_v = (kT/q) \ln (N_v/p_o)$

Work function, Φ : Fermi level to vacuum ref.

Homojunctions - band picture, depletion approximation

- **Band picture**

- a. Isolated n- and p-type:



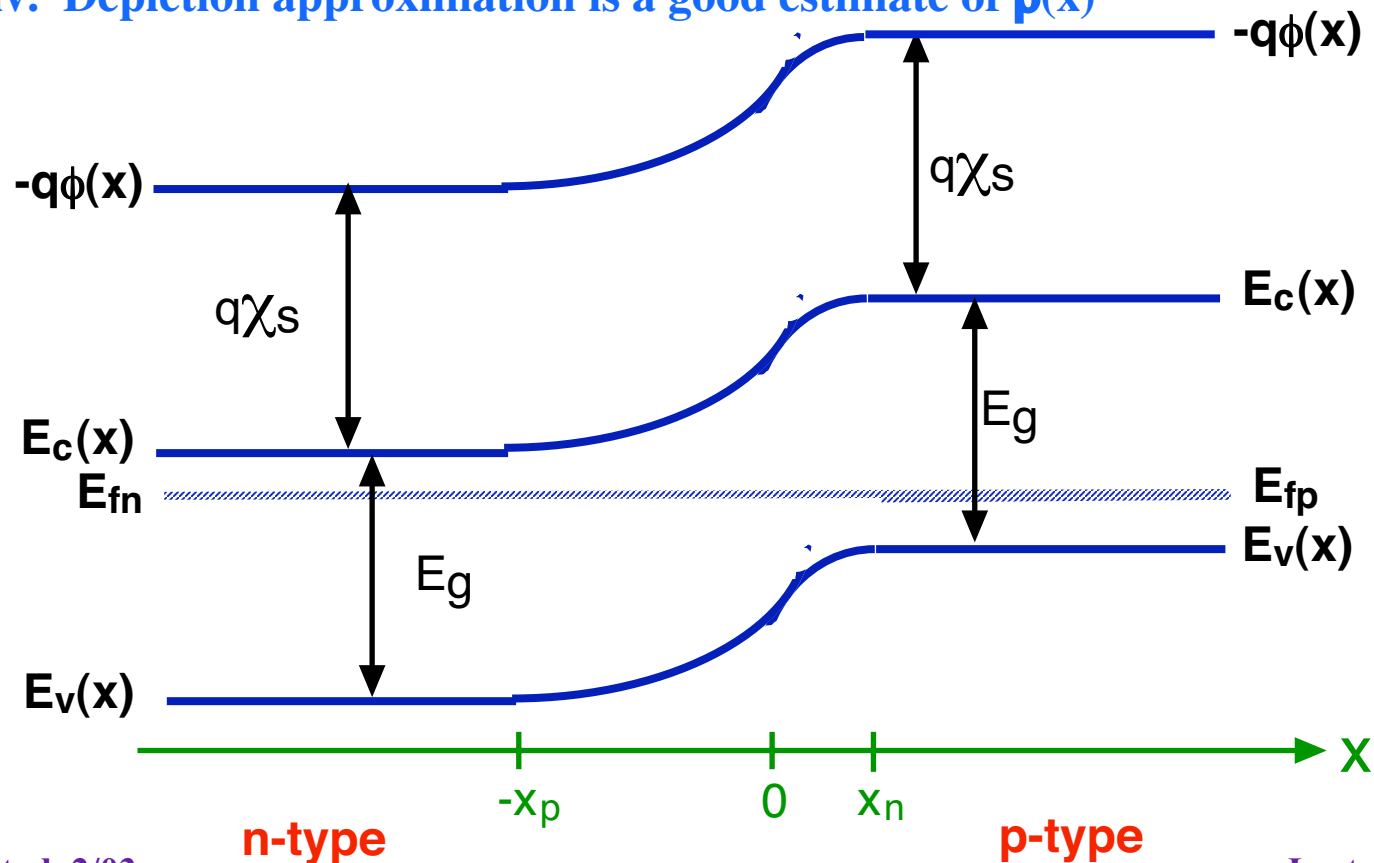
- i. Have same vacuum ref.,
- ii. Fermi levels differ
- iii. Both materials neutral

Homojunctions - band picture, depletion approximation

- **Band picture, cont.**

- b. Electrically connected:

- i. Charge shifts between sides
 - ii. Fermi levels shift until equal
 - iii. Vacuum ref. is now $-q\phi(x)$ where $\phi(x) = (q/\epsilon)\iint\rho(x) dx dx$
 - iv. Depletion approximation is a good estimate of $\rho(x)$

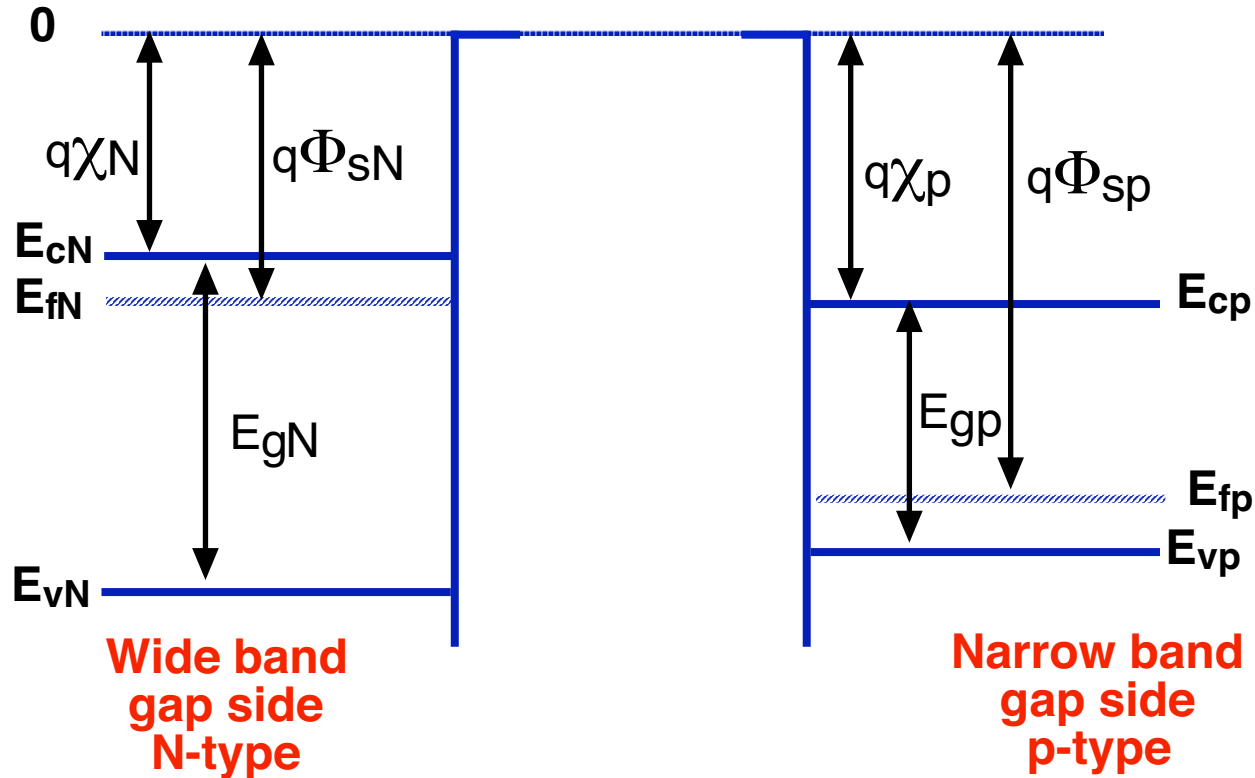


Heterojunctions - band picture, depletion approximation

- **Band picture**

- a. Isolated N- and p-type:

(taking an N-p junction as the example)



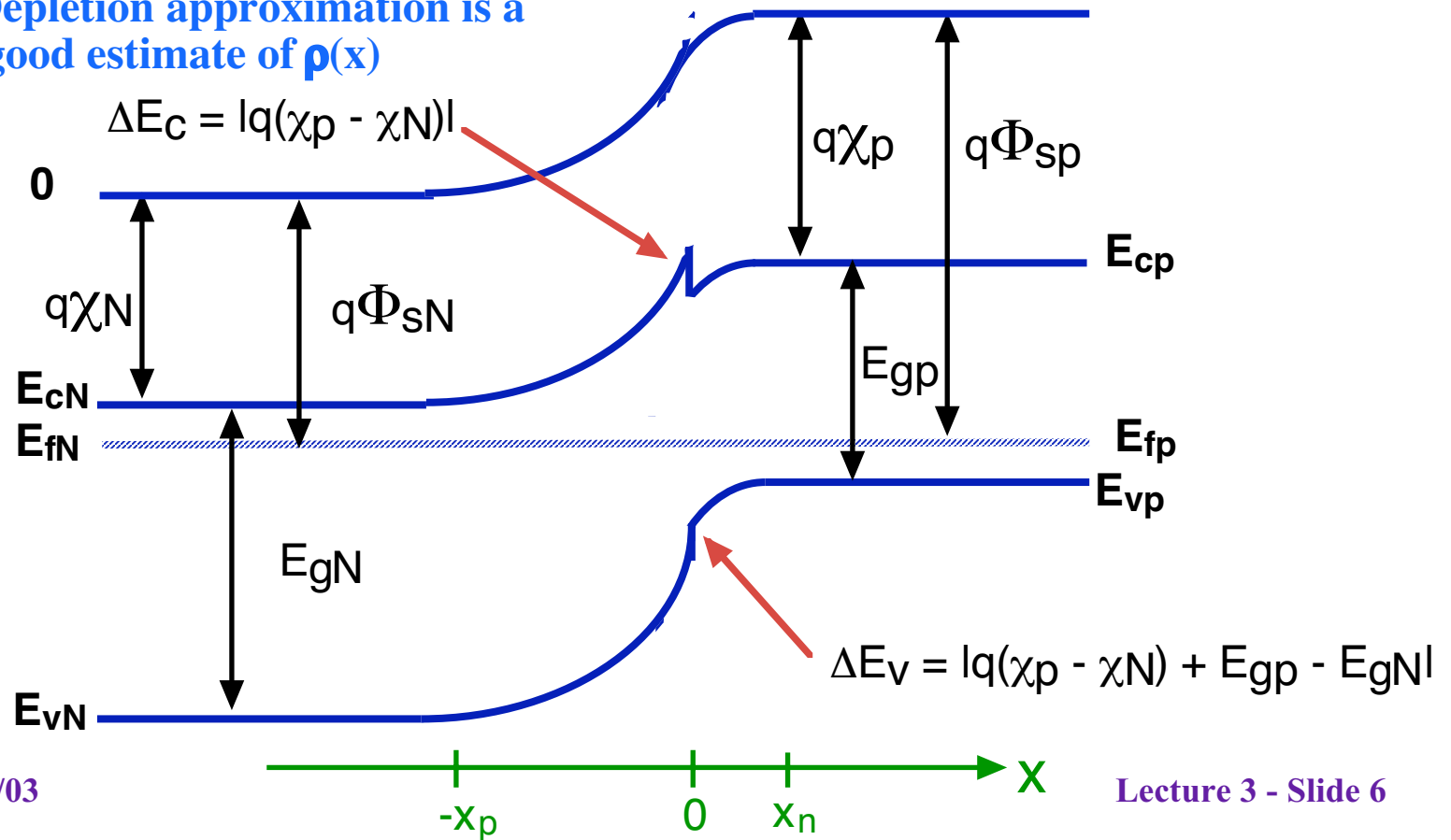
Similar to homojunction except that now the two materials have different electron affinities, energy gaps, dielectric constants, and effective masses.

Heterojunctions - band picture, depletion approximation

- **Band picture, cont.**

- b. Electrically connected:

- i. Charge shifts between sides
 - ii. Fermi levels shift until equal
 - iii. Vacuum ref. is now $-q\phi(x)$ where $\phi(x) = (q/\epsilon)\iint\rho(x) dx dx$
 - iv. $E_c(x)$ is $-q\phi(x) - \chi(x)$ and $E_v(x) = -q\phi(x) - [\chi(x) + E_g(x)]$
 - v. Depletion approximation is a good estimate of $\rho(x)$



Heterojunctions - band picture, depletion approximation

- **Band picture, cont.**

- c. Useful Observations:

- i. The final electrostatic potential profile, $\phi(x)$, is primarily a consequence of the doping levels.
 - ii. The band-edge profiles, $E_c(x)$ and $E_v(x)$, are additionally a consequence of the electron affinity and energy gap profiles, $\chi(x)$ and $E_g(x)$, respectively.
 - iii. In an abrupt heterojunction there are frequently discontinuities in the conduction and valence band edges at the junction.